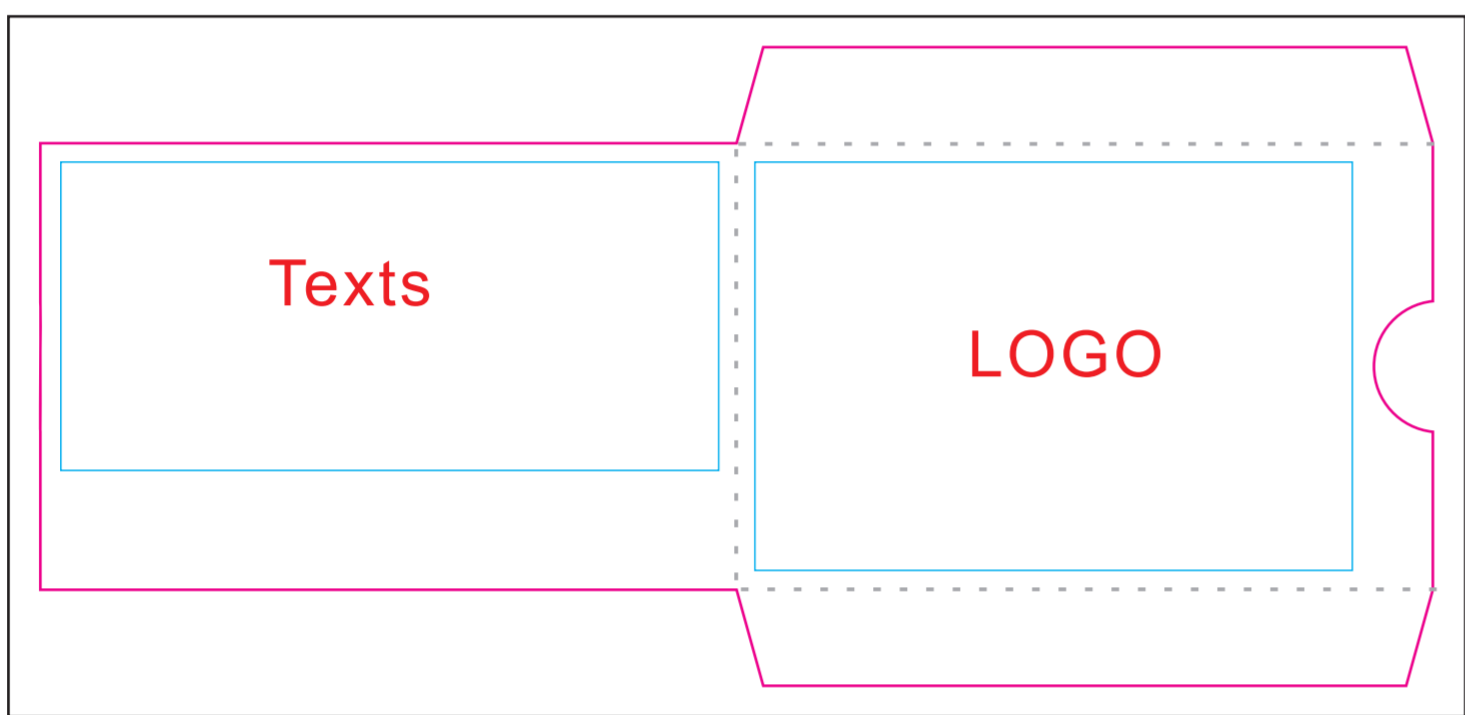
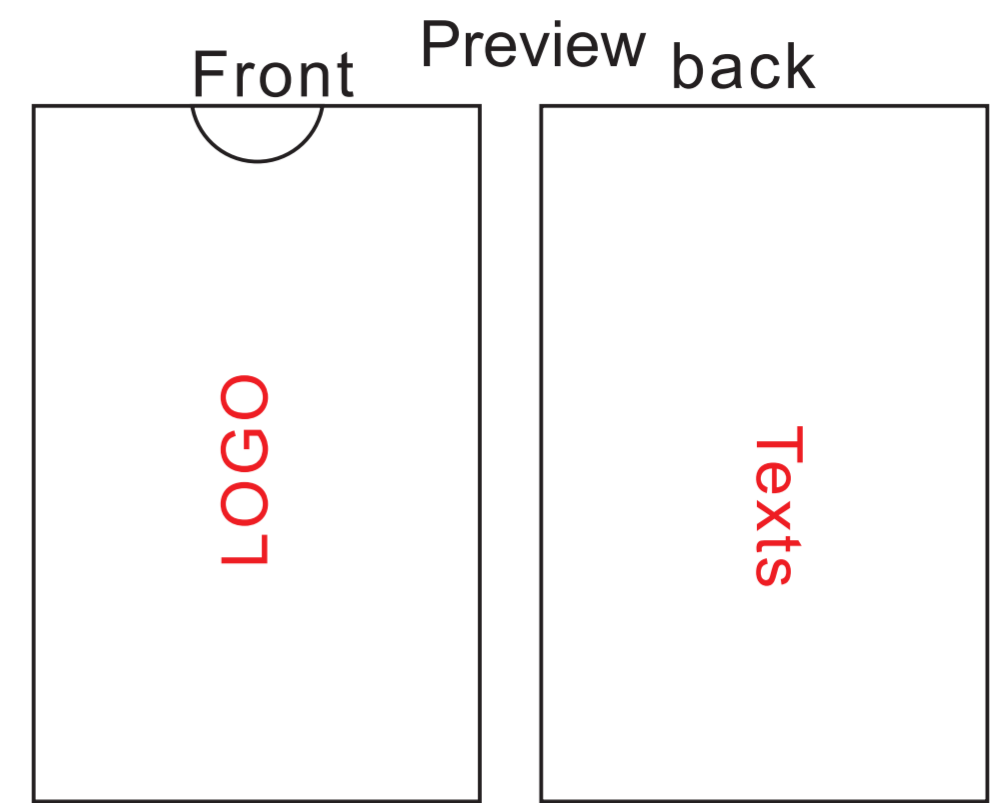
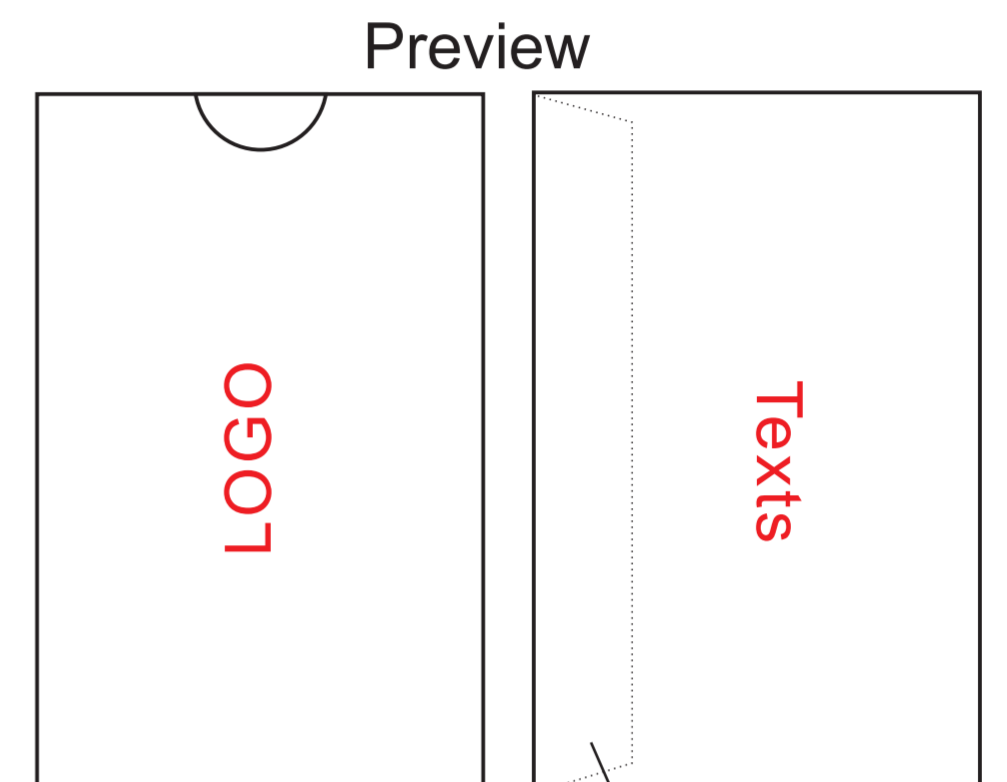


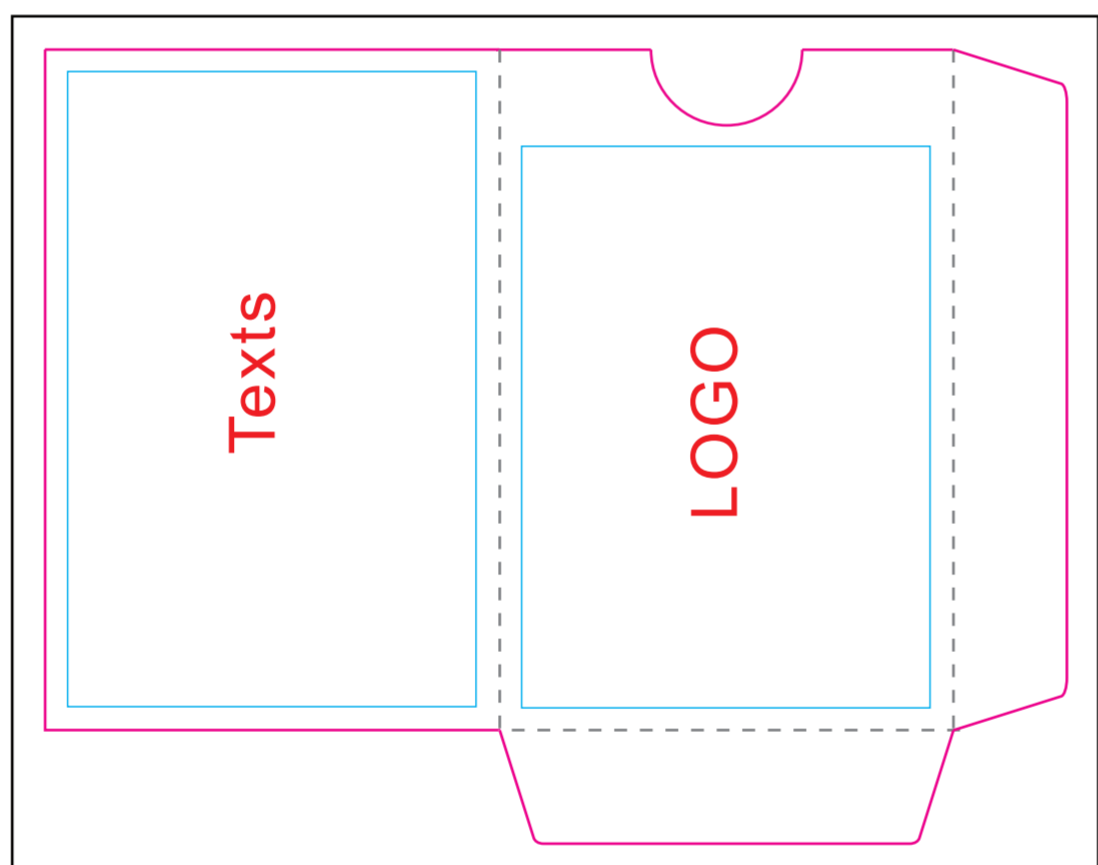
For small quantity only



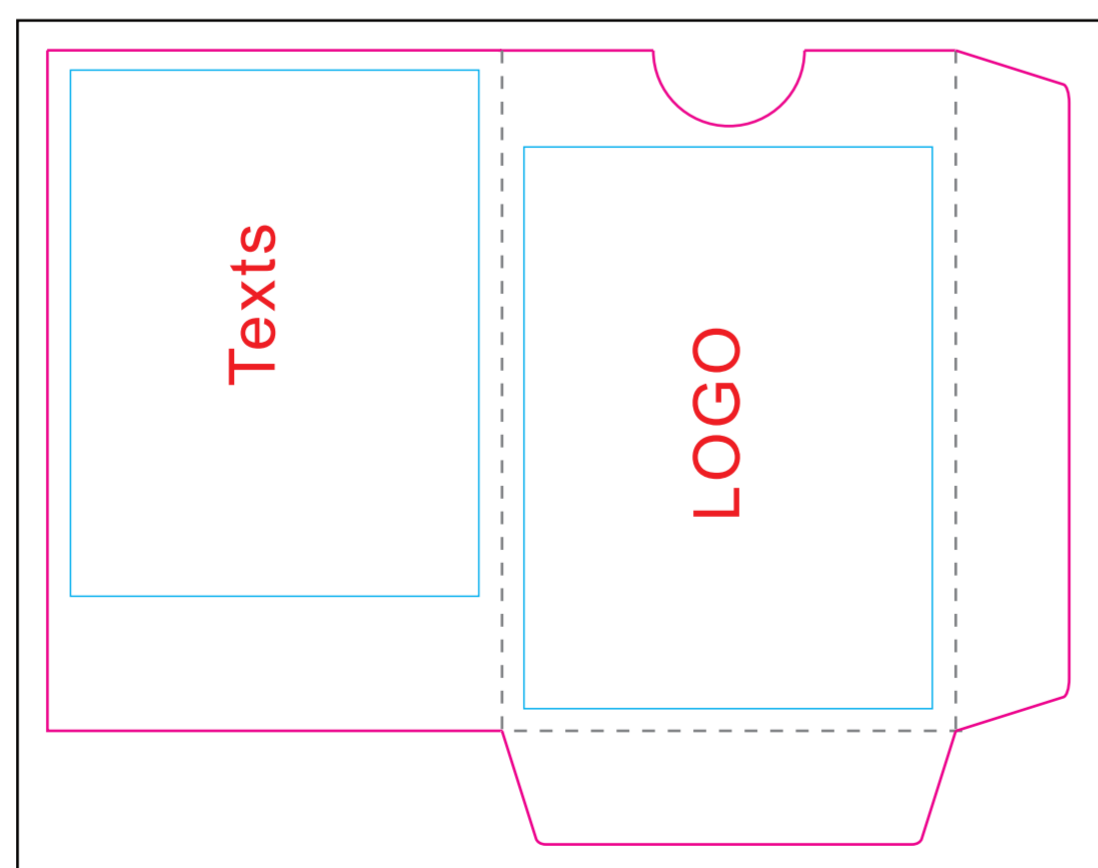
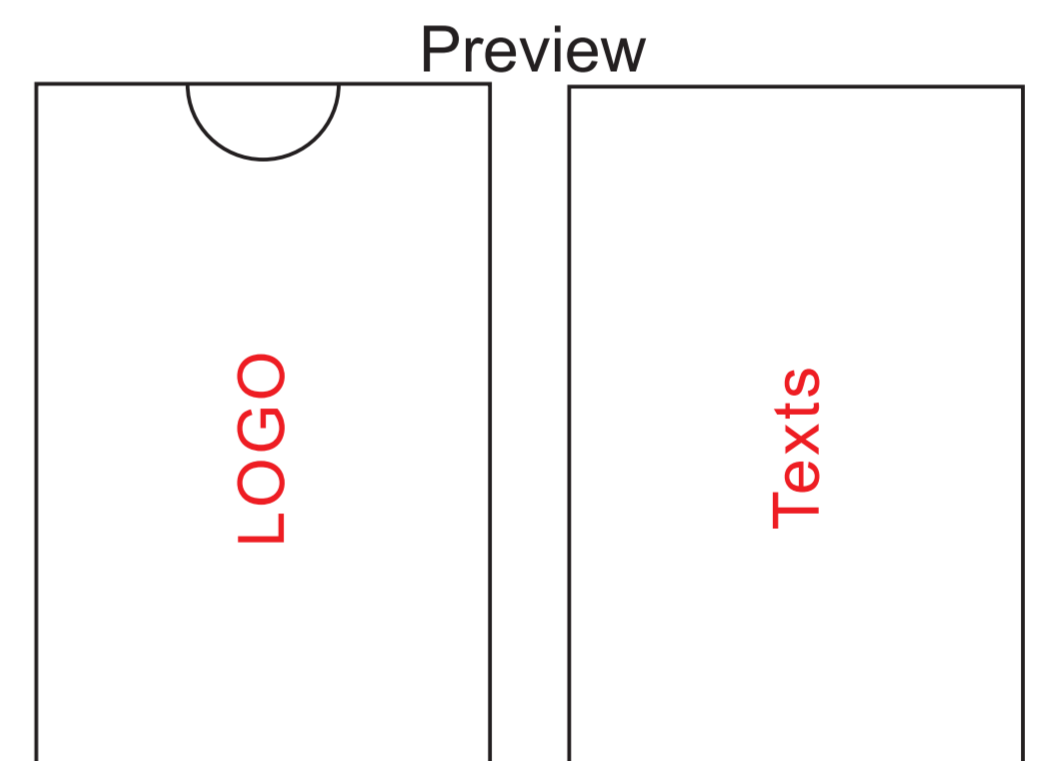
For big and small quantity



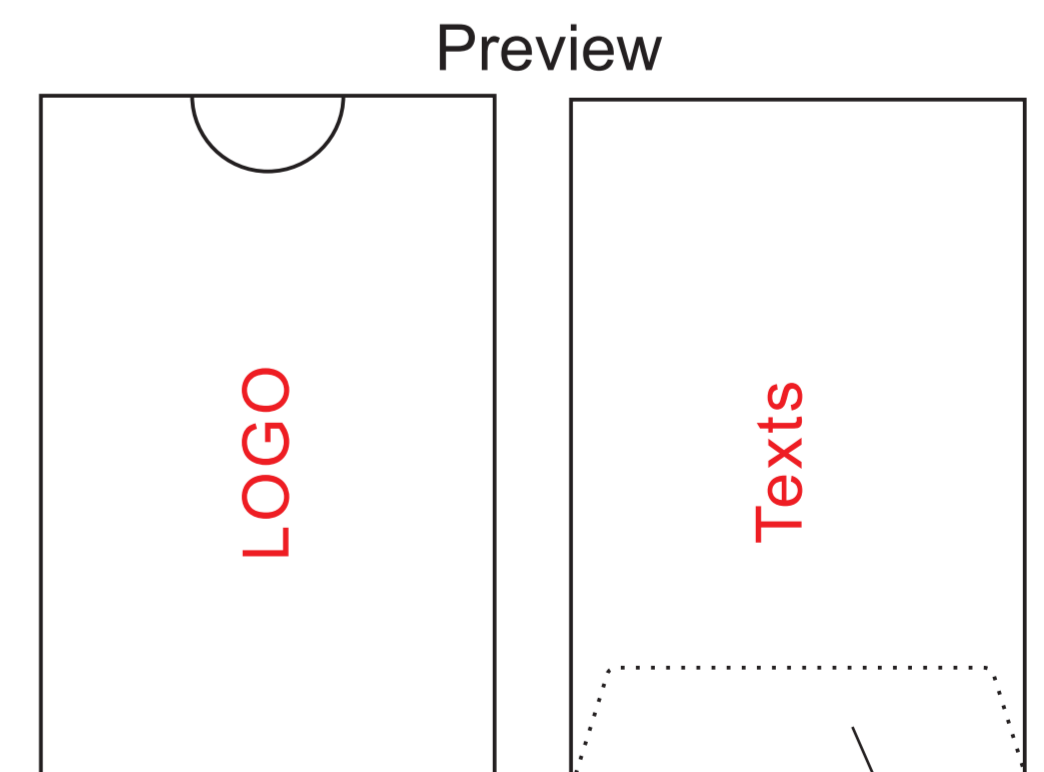
cover outside
no texts printed here



For small quantity only



For big and small quantity



cover outside
no texts printed here

— bleed
(extend the background to this area)

— trimed

- - - - - folded

— safety area
(keep all the printing texts inside this area)

Design note:
-Please try to send vectorgraph in PDF/AI/CDR/EPS format
-all fonts must be created to outlines
-if it's a picture, resolution must be above 300dpi
-if you send PSD file, please save the PSD with layers
-make all colors in CMYK or Pantone code
-keep all printing texts inside the safety area

Safe area

make sure all the below information are stated correctly before you supply the design.
all company details include the phone, email, web, address...
make sure all the spelling are correct!